

The World Leader in the Design of Trimmer Capacitors.



*The Trimmer Capacitor Company*



*Tuning Solutions for Today's Technology*

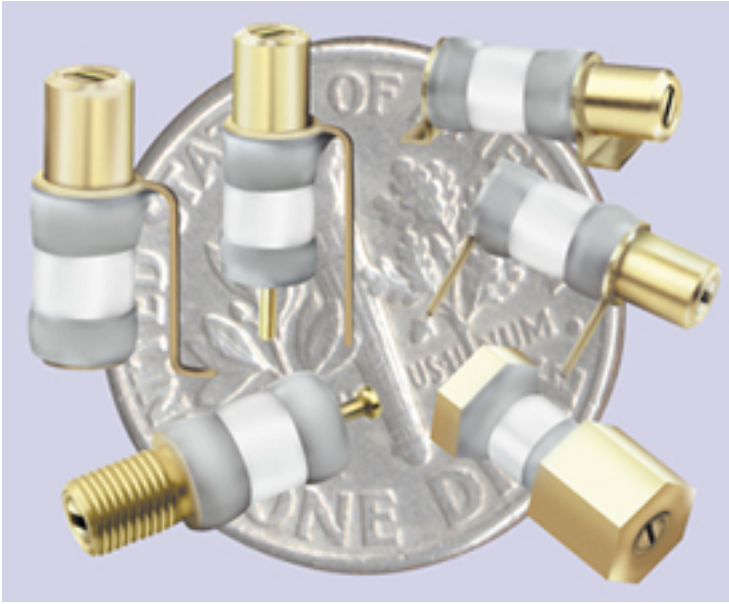
**VOLTRONICS CORPORATION**

100 Ford Road · Denville, New Jersey 07834

Phone: 973-586-8585 · Fax: 973-586-3404

Email: [info@voltronicscorp.com](mailto:info@voltronicscorp.com)

## A1 Series - Low Cost Miniature Trimmer Capacitors



Solid dielectric  
guarantees  
high reliability

7 full turns of linear  
tuning

Capacitance ranges:  
0.45-4 pF and 0.5-8  
pF

Internal stops at  
minimum  
and maximum  
capacitance

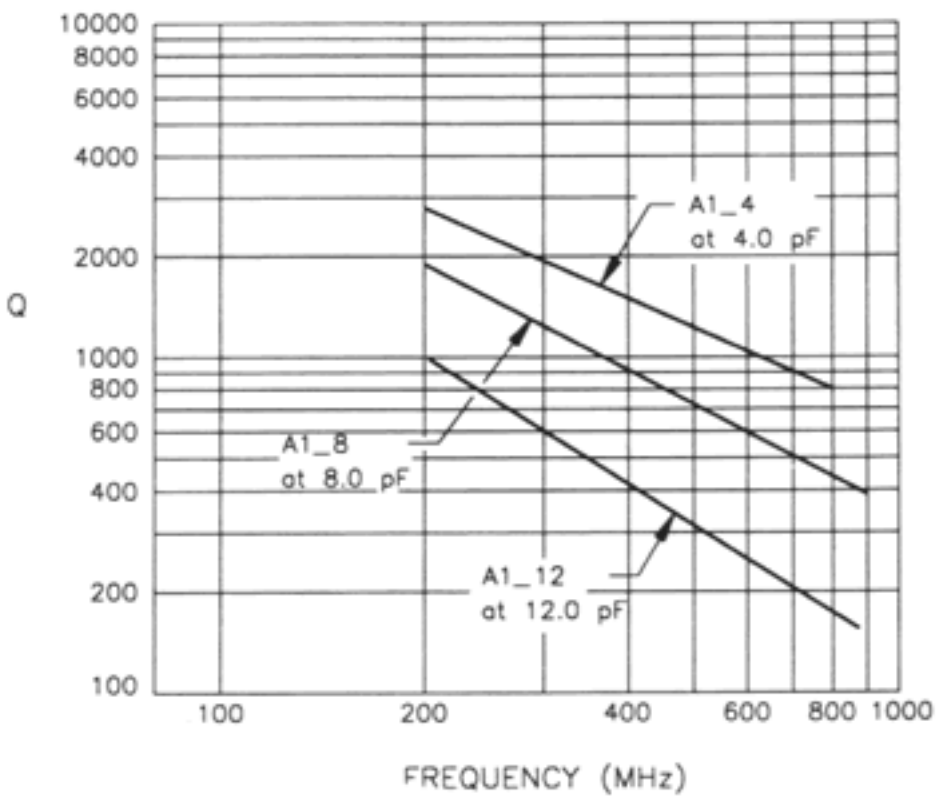
## A1 Series - Low Cost Miniature Trimmer Capacitors

<b>General Specifications</b>	<b>A1_4</b>	<b>A1_8</b>	<b>A1_12</b>
Capacitance	0.45-4pF	0.5-8pF	0.6-12pF
DC Working Voltage	250	125	125
DC Withstanding Voltage	500	250	250
Self-Resonant Frequency*	2.3 GHz at 4pF	1.7 GHz at 8pF	1.2 GHz at 12pF
Number of Turns	7	7	13
Q (min) at 100 MHz @ Max. C *	4000	3000	2000
Temperature Coefficient	0 ± 50 ppm/°C	0 ± 100 ppm/°C	0 ± 150 ppm/°C
Insulation Resistance	10 <sup>6</sup> megohms		
Operating Temperature	-65 °C to +125 °C		
Tuning Torque	0.1 to 1.0 in-oz		
Shock	1,500 g. 0.5 millisecs.		
Vibration	50 g at 10-2000 Hz		

\*Self-resonant frequency and Q are measured with no terminals on parts.

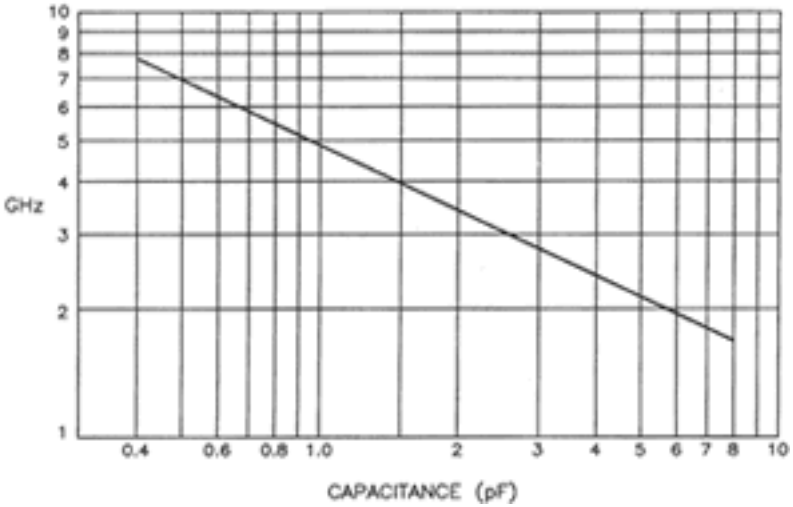
# A1 Series - Low Cost Miniature Trimmer Capacitors

QUALITY FACTOR (Q)



# A1 Series - Low Cost Miniature Trimmer Capacitors

SELF-RESONANT FREQUENCY



# A1 Series - Low Cost Miniature Trimmer Capacitors

## OPTIONS

The "HV" Option - for applications requiring high voltage:  
Add "HV" to part number, i.e. A1T4HV.

Specifications are as follows:

	DC Volts Working	DC Volts Withstanding
4pF	1,000	2,000
8pF	500	1,000
12pF	500	1,000

### Non- Magnetic Options:

All parts shown can be ordered as non-magnetic.  
Add "NM" to the part number, i.e., NMA1T8

### 40 PSI Sealed Options:

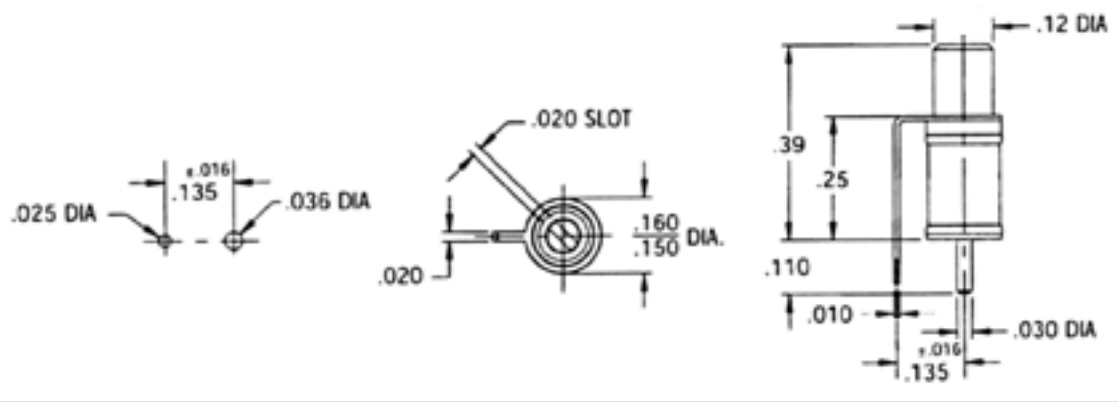
All parts shown can be ordered as 40 psi sealed.  
Add "S" to the part number, i.e., A1M4S

### Extended Shaft Option:

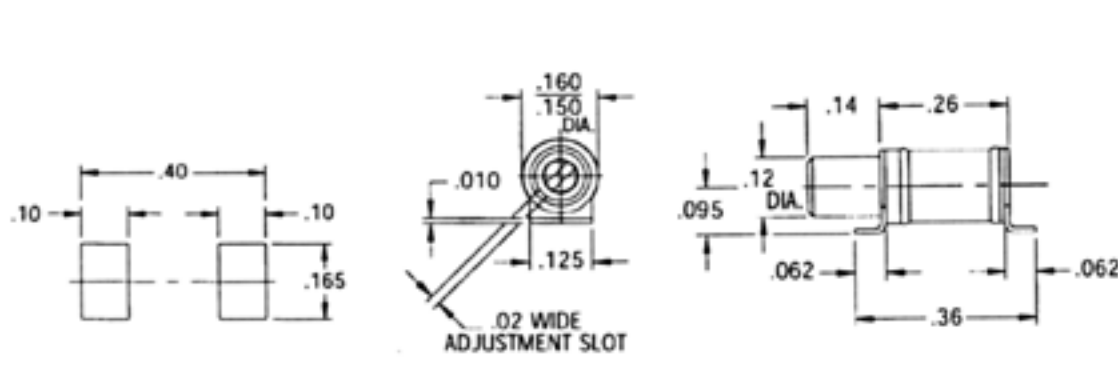
Consult factory for details

# A1 Series - Low Cost Miniature Trimmer Capacitors

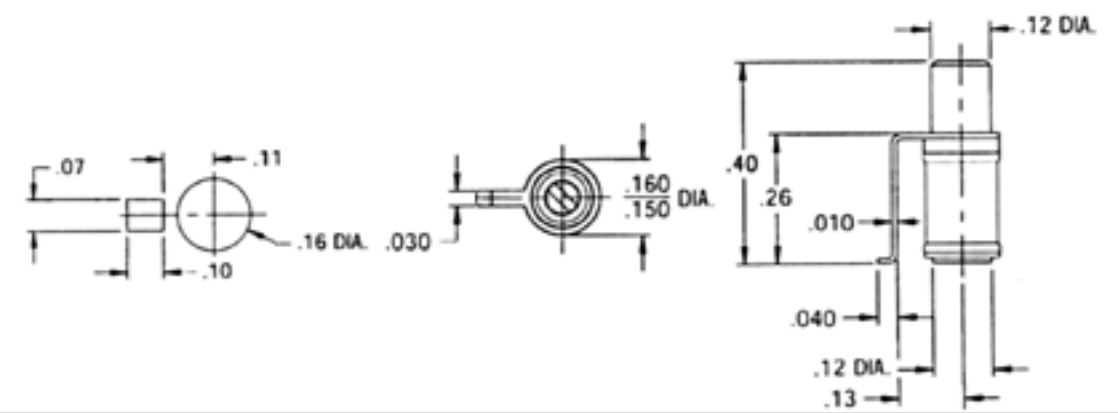
<b>A1F4</b>	0.45 to 4.0pF
<b>A1F8</b>	0.5 to 8.0pF



<b>A1J4</b>	0.45 to 4.0pF
<b>A1J8</b>	0.5 to 8.0pF

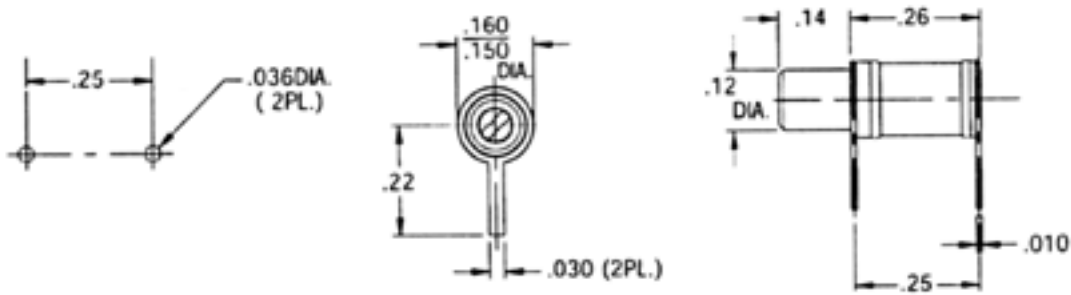


<b>A1M4</b>	0.45 to 4.0pF
<b>A1M8</b>	0.5 to 8.0pF



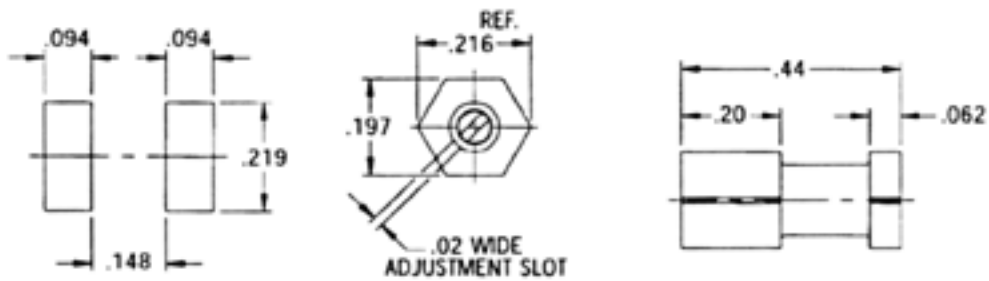
**A1P4** 0.45 to 4.0pF

**A1P8** 0.5 to 8.0pF



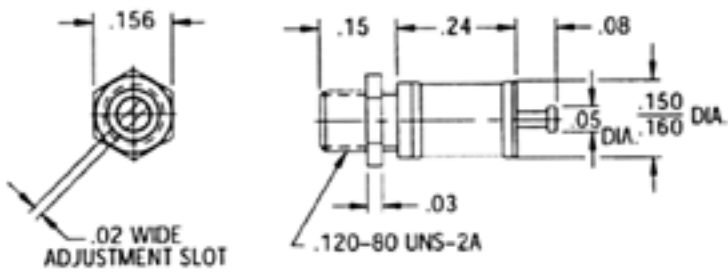
**A1S4** 0.45 to 4.0pF

**A1S8** 0.5 to 8.0pF



**A1T4** 0.45 to 4.0pF

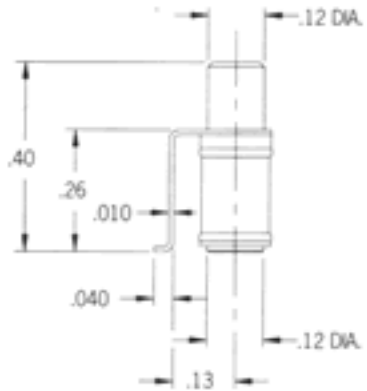
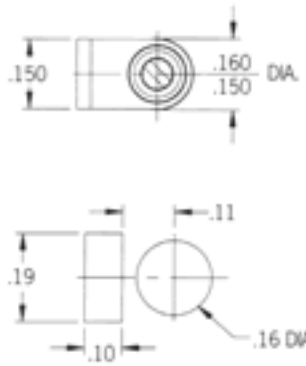
**A1T8** 0.5 to 8.0pF



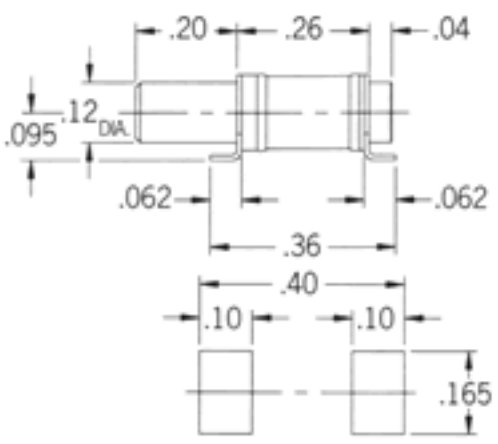
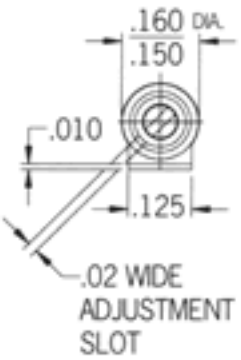


**A1W4** 0.45 to 4.0pF

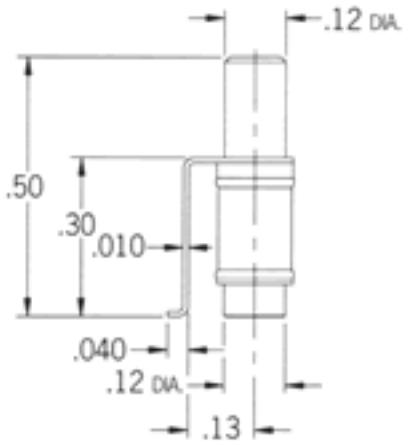
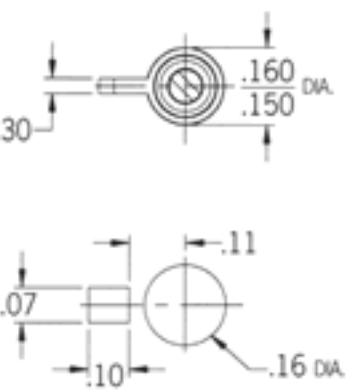
**A1W8** 0.5 to 8.0pF



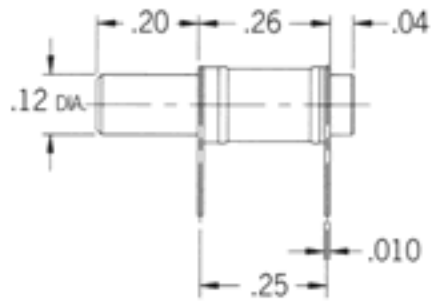
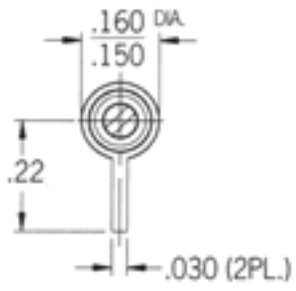
**A1J12** 0.6 to 12.0pF



**A1J12** 0.6 to 12.0pF



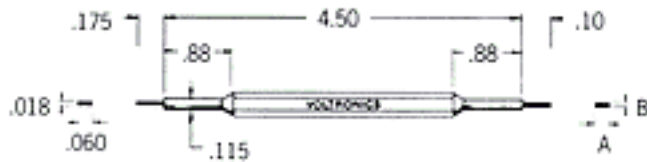
**A1J12** 0.6 to 12.0pF



## A1 Series - Low Cost Trimmer Capacitors

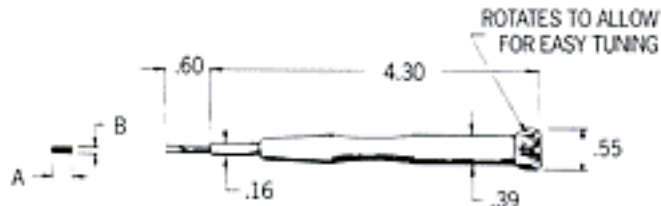
### Metal Tipped

Part #	Tip A	Tip B	Capacitor Series
TT-100	.110X.018	-	A, E, K KE DRO, Glass, NT
-	-	.070X.12	P
TT-200	.110X.018	-	A, E, K KE, DRO, Glass, NT
-	-	.032X.088	----
TT-300	.060X.018	-	A1, A3
-	-	.070X.012	P
TT-400	.060X.018	-	A1, A3
-	-	.036X.012	A2, A4



### Ceramic Tipped Non-Magnetic

Part #	Tip A	Capacitor Series
TT-500	.07X.016	A1, A3, A, E, K, KE, DRO
TT-600	.10X.016	Glass, NT
TT-700	.050X.016	P
TT-900	.038X.016	A2, A4



The TT-500 thru TT-900 tuning tools are ideal for continual use.

They fit into the hand with the rotatable top fixed in the palm.

The tip is made of high strength ceramic

Use this tool where metal tip affects tuning.

## A1 Series - Low Cost Miniature Trimmer Capacitors

You may order Engineering Prototype Kits by calling (973)586-8585

Quantities and styles may be substituted as long as the total quantity does not change.

<b>"A1" Series - Kit #202</b>		
<b>Part #</b>	<b>Qty.</b>	<b>Range</b>
A1F4	2	.045 to 4.0
AIJ4	2	.045 to 4.0
AIM4	2	.045 to 4.0
A1P4	2	.045 to 4.0
A1S4	2	.045 to 4.0
A1T4	2	.045 to 4.0
A1F8	2	0.5 to 8.0
A1J8	2	0.5 to 8.0
A1M8	2	0.5 to 8.0
A1P8	2	0.5 to 8.0
A1S8	2	0.5 to 8.0
A1T8	2	0.5 to 8.0
<b>Price \$50.00 USD</b>		